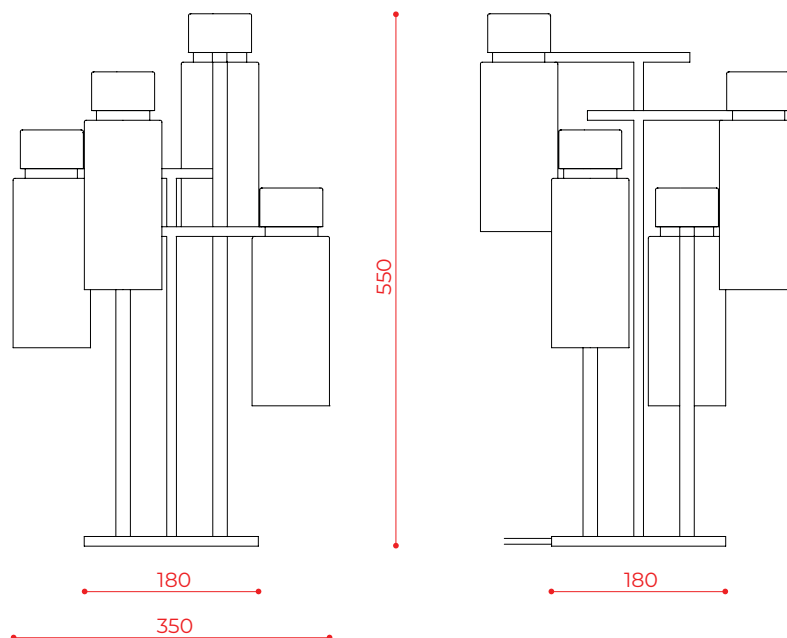


## 560.34d Tavolo - Table

Designed by Corrado Dotti



unit mm

## Series

Osman

## Dimensions

H. 55 x Ø. 35 / H. 21.7" x Ø. 13.8"

## Weight

4,7 kg / 10,4 lb

## Materials

metal, brass, glass

## Voltage

240V

 IP40

## Certifications

RCM

## Source

4 x E14 bulb

Reccommended bulb: 8W 500 lm

Dimmability: According to bulb

Cable: 1500mm

## Notes

110 / 120V version available on request

Max dimensions bulb (excluded): 30mm

## Class

Insulation class 1

Degree of protection IP40

## Finishes

C2 Matte black + C41 Brushed brass +  
Clear glassC2 Matte black + C48 Black chrome +  
Smoke glass

Structure made from a metal base and stem coated with epoxy powder coated metal and brushed brass or black chrome details. Clear or smoked double-wall cylindrical glasses.

## ABOUT

Family of lamps with a rational design enriched by precious metallic details and double-wall cylindrical diffusers that give a fascinating and harmonious light diffusion. The particular orthogonal structure and the well-balanced proportions give these lamps a strong avantgarde sign while maintaining a formal, familiar and refined appearance.