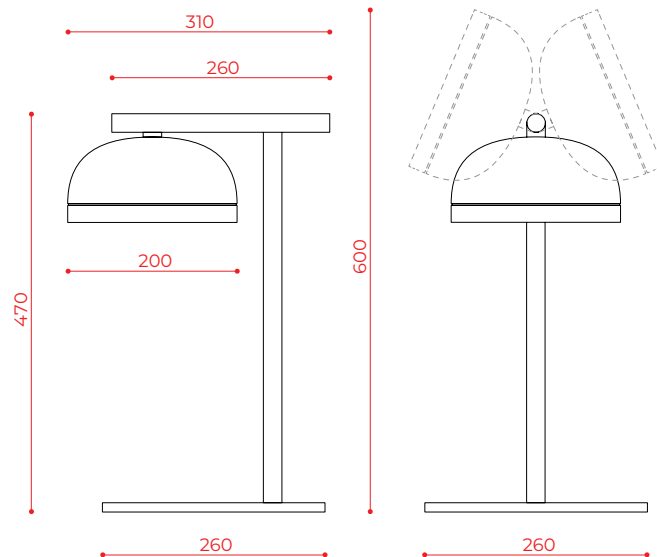


556.32 Tavolino - Side Table

Designed by Corrado Dotti



unit mm

Series

Molly

Dimensions

H. 47 x Ø. 31 / H. 18,5" x Ø. 10,2"

Weight

5 kg / 11 lb

Materials

metal, PMMA, aluminium

Voltage

240V

IP40

Certifications

RCM

Source

6x Integrated LED
 Wattage: 12W
 Lumens: 1200 lm
 Dimmability: Phase cut
 Color Temperature: 2700K
 Cable: 1500mm

Notes

110 / 120V version available on request

Class

Insulation class 1
 Degree of protection IP40

Finishes

Dome: C41 Brushed brass, C46 Sand grey, C50 Pewter, C74 Sand black C99 Copper

Ring: C41 Brushed brass, C46 Sand grey, C50 Pewter, C74 Sand black C99 Copper

Structure made of a metal body and a circular base coated with epoxy powders and a dome and ring in different colors; diamond methacrylate diffuser. The luminous flux can be adjusted up to 270°.

ABOUT

Collection of contemporary hanging, wall, floor, table, side and ceiling lamps with a painted dome and ring either painted or finished with brushed brass, copper or pewter. The bright diamond screen is made of plexiglass to better spread light out. The collection presents lamps available in three sizes for single-unit or dynamic compositions. These lamps are very versatile and fit any kind of setting, thanks to their simple shape yet rich materials.