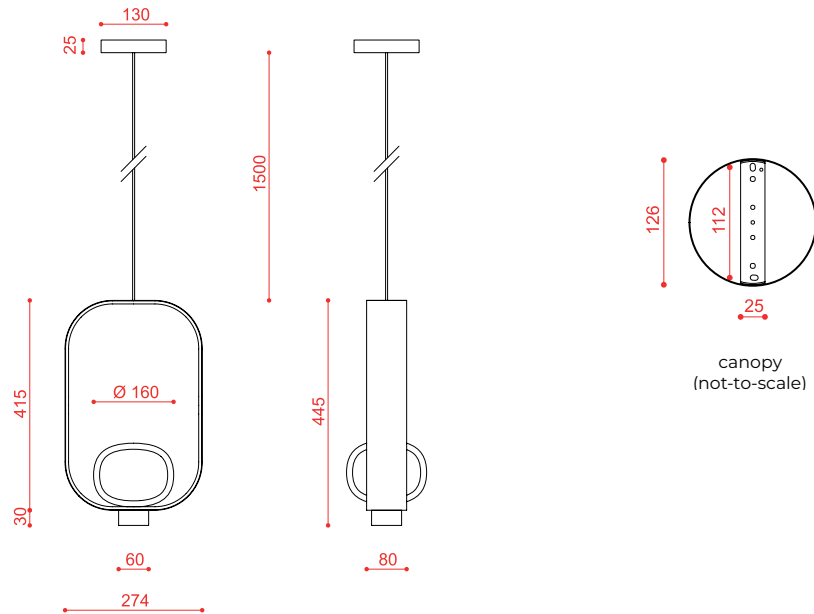


555.22 Pendant

Designed by Corrado Dotti



unit mm

Series	Certifications	Class
Filipa	RCM	Insulation class 1
Dimensions	Source	Degree of protection IP40
H. 45 x L.28 cm / H. 17,5" x L. 10,8"	Source Type: 1x G9 bulb + 1x Integrated LED	Finishes
Weight	Power: G9 max.5 W + Integrated LED 4W each	C74 Sand black + C46 Sand grey +
2,3 kg / 5,1 lb	Color Temperature: 2700K	Clear glass,
Materials	Nominal flux: / + 500 lm	C74 Sand black + Two tone leather +
Metal, leather, glass	Dimmability: according to bulb + phase cut	Clear glass
Voltage	Notes	
220-240V	Cable Length: 150 cm/ 59"	
IP40	Available in 110-120V	
	Max. dimensions bulb (excluded): H. 5,7 x Ø1,8 cm / H. 2,2" x 0,7"	

Structure made of a metal canopy coated with epoxy powders and three metal or two-tone leather suspensions, inspired by the shape of the Chinese lanterns. The light diffuses through a double-walled borosilicate glass spherical diffuser with Ø16 cm and an integrated LED source for direct downlighting.

ABOUT

Collection of lamps inspired by the classic Chinese lanterns. The particular bi-dimensional structure is made by powder coated painted metal on the outside, while the inside color is sand gray. A new version in a two coloured leather has enriched the collection. The light source is located inside a double side borosilicate glass diffuser, while the suspensions have an additional integrated LED light source in order to create a direct illumination downwards.