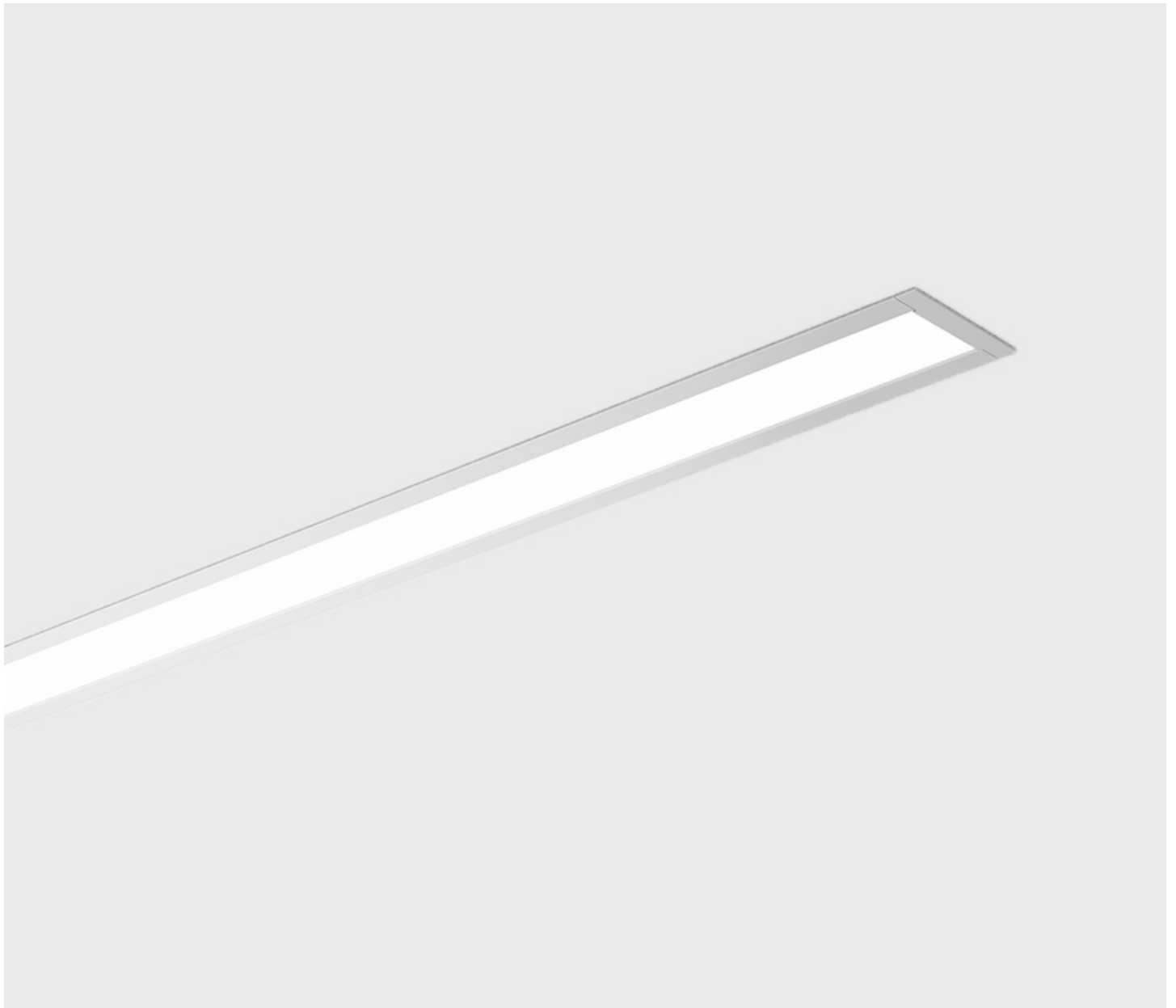


Sistema - Recessed 9435R

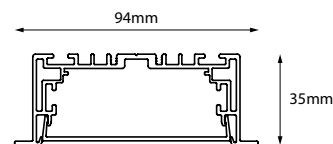


Sistema is an LED system in extruded aluminium offering style and flexibility with its many options and configurations. With pendant, surface mount and wall/ceiling Recessing varieties available the design possibilities are endless. Connection kits are available to create continuous runs of light, mounted or Recessing vertically or horizontally.

IP33    

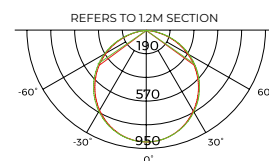
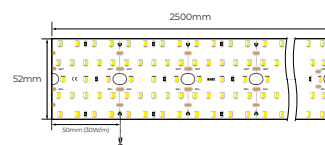
Sistema - 9435R

Dimensions	94mm x 35mm x 2500mm
Finish	Anodized Aluminium / Custom Colour (CC)
Configurations	Recessed
Code	599435R
Included Components	Profile (2500mm x 94mm x 35mm) Opal Diffuser (2500mm x 72,3mm x 10mm) 2 x End-Caps (18mm x 94mm x 35mm)



Source

Code / Description	59943530 / Warm White 3000K 30W/m 2550lm/m 24Vdc PCB 59943540 / Neutral White 4000K 30W/m 2600lm/m 24Vdc PCB
Light Source	LED
CRI	90+
Lifespan	50000hrs



1m	269.7902.8lx	294.12cm
2m	67.41.225.7lx	588.24cm
3m	29.96.100.3lx	882.37cm
5m	10.79.36.1lx	1470.61cm
7m	5.503.18.42lx	2058.86cm
Height	Eavg, Emax	Angle: 11.57deg Diameter

Options

Power Supply	Remote Driver Fixed Output / Phase-Cut / 1-10V / DALI
--------------	--

Additional Information

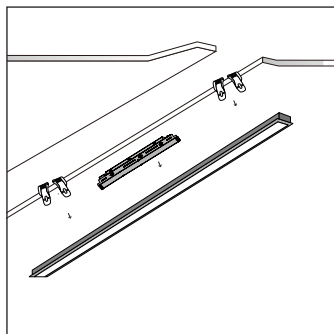
This product comes in our standard colour range however can be colour-customised to seamlessly integrate into your space. Minimum order quantities apply. For more information please contact our customer service team on +61 3 9427 0231 or email info@sphera.com.au

Accessories

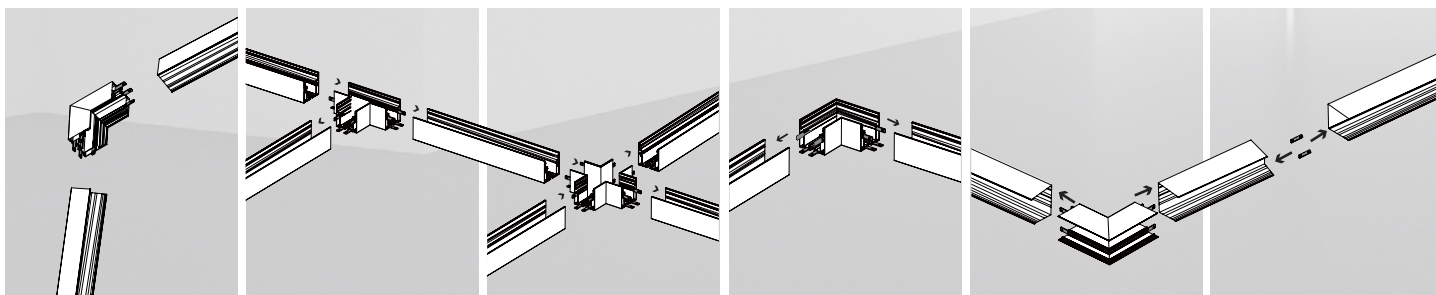
Connectors	Fully Illuminated 90° L Connector (157mm x 157mm x 35mm)
	Fully Illuminated T Connector (200mm x 157mm x 35mm)
	Fully Illuminated X Connector (200mm x 200mm x 35mm)
	Mitre Cut Connector To Nominated Angle
Components	Spring Loaded Clips (68,5mm x 35mm x 31,6mm)
	Recessing Bracket (96mm x 84mm x 39,5mm)

Mounting diagram

Recessed



Interconnection instructions



Additional Information

This product comes in our standard colour range however can be colour-customised to seamlessly integrate into your space. Minimum order quantities apply. For more information please contact our customer service team on +61 3 9427 0231 or email info@sphera.com.au