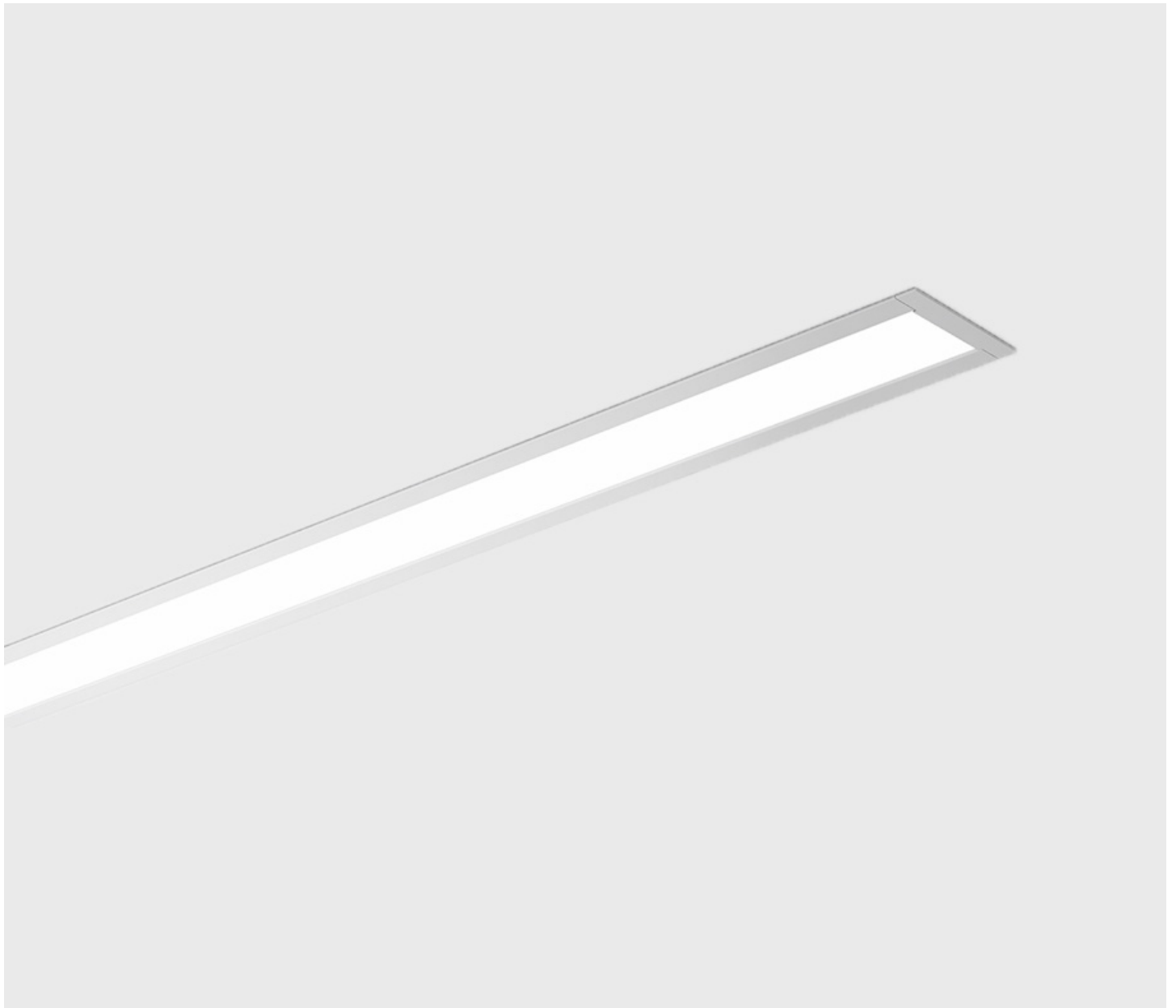


Sistema - Recessed 6935R

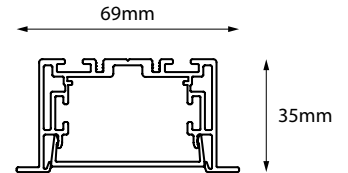


Sistema is an LED system in extruded aluminium offering style and flexibility with its many options and configurations. With pendant, surface mount and wall/ceiling Recessing varieties available the design possibilities are endless. Connection kits are available to create continuous runs of light, mounted or Recessing vertically or horizontally.

IP33    

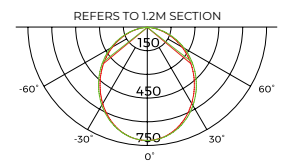
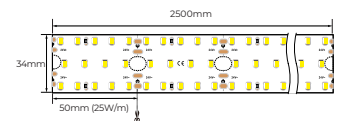
Sistema - 6935R

Dimensions	69mm x 35mm x 2500mm
Finish	Anodized Aluminium / Custom Colour (CC)
Configurations	Recessed
Code	596935R
Included Components	Profile (2500mm x 69mm x 35mm) Opal Diffuser (2500mm x 47,5mm x 10mm) 2 x End-Caps (18mm x 69mm x 35mm)



Source

Code / Description	59693530 / Warm White 3000K 25W/m 2300lm/m 24Vdc PCB 59693540 / Neutral White 4000K 25W/m 2400lm/m 24Vdc PCB
Light Source	LED
CRI	90+
Lifespan	50000hrs



Height	Eavg, Emax	Angle: 102.62deg	Diameter
1m	246.6, 714.0lx		249.73cm
2m	61.64, 178.5lx		499.47cm
3m	27.40, 79.35lx		749.20cm
5m	9.86, 28.56lx		1248.67cm
7m	5.03, 14.57lx		1748.14cm

Options

Dimming	Fixed Output / 1-10V / DALI
---------	-----------------------------

Additional Information

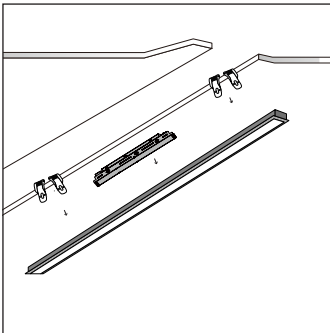
This product comes in our standard colour range however can be colour-customised to seamlessly integrate into your space. Minimum order quantities apply. For more information please contact our customer service team on +61 3 9427 0231 or email info@sphera.com.au

Accessories

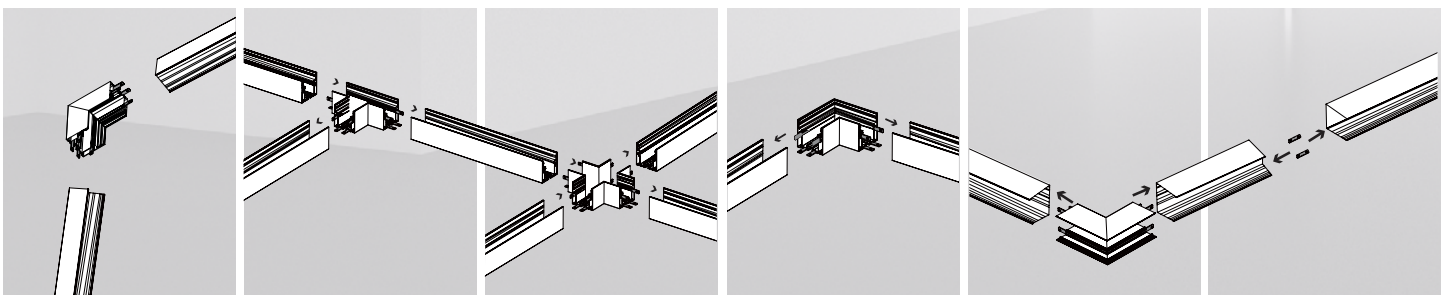
Connectors	Fully Illuminated 90° L Connector (107mm x 107mm x 35mm)
	Fully Illuminated T Connector (150mm x 107mm x 35mm)
	Fully Illuminated X Connector (150mm x 150mm x 35mm)
	Mitre Cut Connector To Nominated Angle
Components	Spring Loaded Clips (68,5mm x 35mm x 31,6mm)
	Recessing Bracket (99,8mm x 59mm x 39,5mm)

Mounting diagram

Recessed



Interconnection instructions



Additional Information

This product comes in our standard colour range however can be colour-customised to seamlessly integrate into your space. Minimum order quantities apply. For more information please contact our customer service team on +61 3 9427 0231 or email info@sphera.com.au