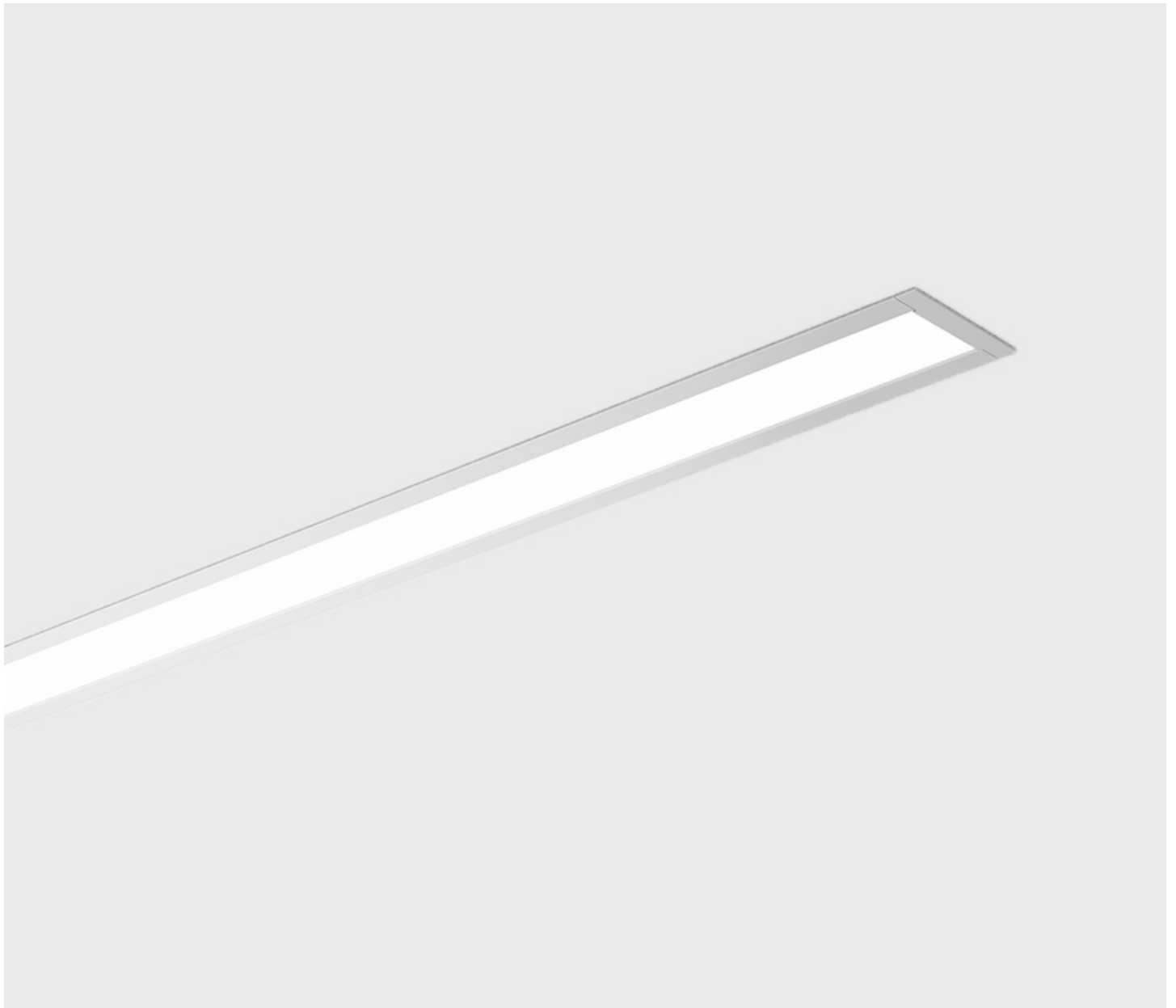


Sistema - Recessed 5535R

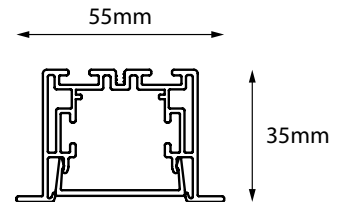


Sistema is an LED system in extruded aluminium offering style and flexibility with its many options and configurations. With pendant, surface mount and wall/ceiling Recessing varieties available the design possibilities are endless. Connection kits are available to create continuous runs of light, mounted or Recessing vertically or horizontally.

IP33    

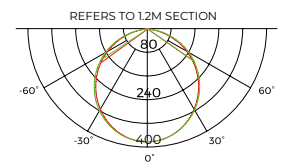
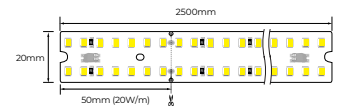
Sistema - 5535R

Dimensions	55mm x 35mm x 2500mm
Finish	Anodized Aluminium / Custom Colour (CC)
Configurations	Recessed
Code	595535R
Included Components	Profile (2500mm x 55mm x 35mm) Opal Diffuser (2500mm x 34,2mm x 10,2mm) 2 x End-Caps (18mm x 55mm x 35mm)



Source

Code / Description	59553530 / Warm White 3000K 20W/m 1770lm/m 24Vdc PCB 59553540 / Neutral White 4000K 20W/m 1820lm/m 24Vdc PCB
Light Source	LED
CRI	90+
Lifespan	50000hrs



Height	Eavg, Emax	Angle: 110.79deg	Diameter
1m	111.9, 375.0lx		289.86cm
2m	27.97, 93.76lx		579.72cm
3m	12.43, 41.67lx		869.58cm
5m	4.476, 15.00lx		1449.30cm
7m	2.284, 7.654lx		2029.02cm

Options

Power Supply	Remote Driver Fixed Output / Phase-Cut / 1-10V / DALI
--------------	--

Additional Information

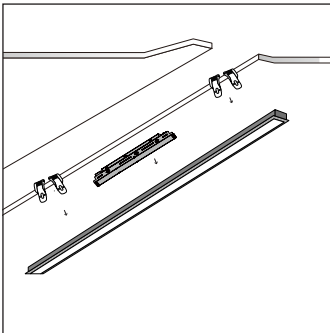
This product comes in our standard colour range however can be colour-customised to seamlessly integrate into your space. Minimum order quantities apply. For more information please contact our customer service team on +61 3 9427 0231 or email info@sphera.com.au

Accessories

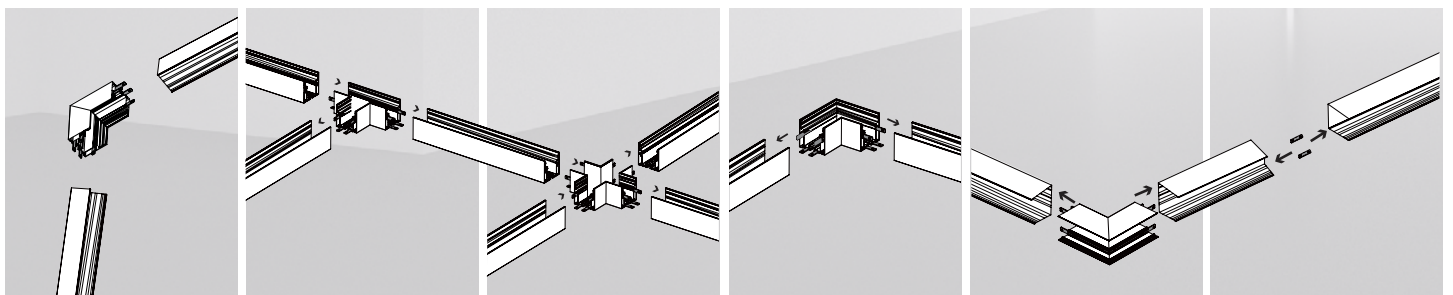
Connectors	Fully Illuminated 90° L Connector (107mm x 107mm x 35mm)
	Fully Illuminated T Connector (150mm x 107mm x 35mm)
	Fully Illuminated X Connector (150mm x 150mm x 35mm)
	Mitre Cut Connector To Nominated Angle
Components	Spring Loaded Clips (68,5mm x 35mm x 31,6mm)
	Recessing Bracket (107,3mm x 45mm x 39,5mm)

Mounting diagram

Recessed



Interconnection instructions



Additional Information

This product comes in our standard colour range however can be colour-customised to seamlessly integrate into your space. Minimum order quantities apply. For more information please contact our customer service team on +61 3 9427 0231 or email info@sphera.com.au