

# Ster Spot Bollard 800

## GEOMETRY HIGHLIGHTS SIMPLICITY AND EFFICIENCY

A cone of light designed to illuminate outdoor spaces, with a strong and contemporary design—its geometry highlights simplicity and efficiency.

Ster is a projector available in multiple configurations, suitable for all main applications.

**SPOT GU10 Model:** Available as a wall-mounted projector or as a bollard with single or double emission (H 500 mm, 800 mm), equipped with a GU10 lampholder (lamp not included), or in the SPOT10° version with SORAA® lamp (beam and light-colour accessories to be ordered separately). Die-cast aluminium body, with cathodisation treatment and polyester powder coating, the base is made of turned aluminium specifically treated for outdoor resistance.

Adjustability:  $\pm 90^\circ$  tilt /  $\pm 355^\circ$  rotation.

The transparent, tempered glass with black silk-screened is attached to the removable frame for access during maintenance.

Direct power supply 220–240V.

**DIFFUSED Model:** Available as a wall fixture, single or double-emission bollard (500 mm and 800 mm), or suspension with rod.

Light source: power LED, 2700K or 3000K, CRI  $\geq 90$ .

The luminaire body and base are made of turned aluminium with cathodisation treatment and polyester powder coating.

The transparent, tempered glass with black screen-printing is sealed to the body to ensure IP66 protection.

Power supply: 220–240V (phase-cut dimmable for wall version) or 24V with remote driver to be ordered separately.

*Un cono di luce ad illuminare gli spazi esterni, design deciso e attuale, una geometria che esalta semplicità ed efficienza.*

*Ster è un proiettore che si declina in molteplici soluzioni e per tutte le applicazioni principali.*

*Modello SPOT GU10: in versione proiettore a parete o bollard a singola o doppia emissione (h500mm, 800mm) con portalampada senza lampadina o in versione SPOT10° con lampadina SORAA® (accessori relativi a fascio e colore di luce, da ordinare separatamente). Corpo in pressofusione di alluminio con cataforesi e verniciatura a polvere di poliestere, base in alluminio tornito e trattato appositamente per la resistenza all'esterno. Puntabilità  $\pm 90^\circ$  - orientabilità  $\pm 355^\circ$ . Il vetro trasparente e temprato con serigrafia nera è incollato alla ghiera removibile per la manutenzione del vano.*

*Alimentazione diretta 220-240V.*

*Modello DIFFUSED: versione parete, bollard a singola o doppia emissione da 500mm e 800mm oppure sospensione con tige. Sorgente luminosa power Led nelle colorazioni 2700K e 3000K CRI  $\geq 90$ . Corpo lampada e basetta in alluminio tornito trattato con cataforesi e verniciatura in polvere di poliestere. Il vetro trasparente e temprato con serigrafia nera è incollato al corpo a garanzia della tenuta IP66.*

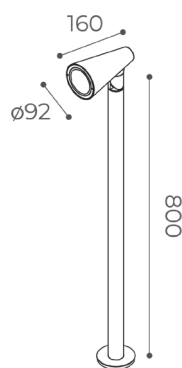
*Alimentazione 220-240V (dimmabile phase-cut per la versione a parete) o 24V alimentazione remota da predisporre separatamente.*

*Design by Brian Sironi*



# Ster Spot Bollard

h800



Available finishes:

- white
- sand
- graphite
- aluminium
- corten
- olive green

**Light Source**  
**Supply**  
**CRI**  
**IP rating**  
**Dimmer**  
**Electrical Class**  
**Application**  
**Diffuser**

GU10 bulb  
 220-240V  
 if Soraa ≥90  
 IP66  
 phase cut with Soraa lamp  
 II  
 wall  
 transparent glass

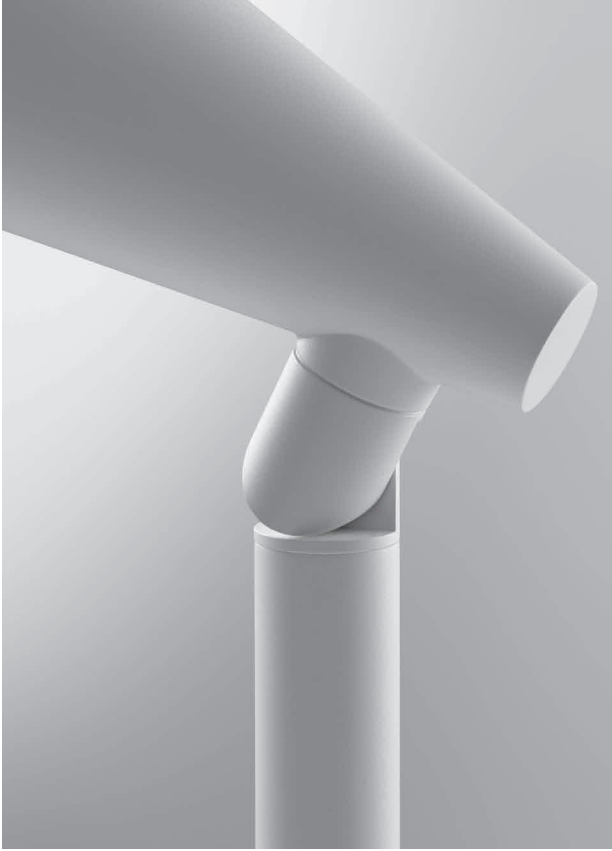
**Power** 7,5W is Soraa  
**Led Colour temp.** 2700K / 3000K



				10° lm	white	sand	graphite	aluminium	corten	green
GU10	220-240V	2700K	540	902831042	902831043	902831044	902831045	902831048	9028310416	9028310416
7,5Wled		3000K	560	902811042	902811043	902811044	902811045	902811048	9028110416	9028110416
7,5We										
				white	sand	graphite	aluminium	corten	green	
GU10	220-240V			902801052	902801053	902801054	902801055	902801058	9028010516	
Senza lampadina/Without bulb										

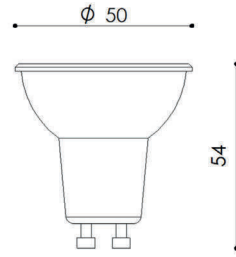
**SORAA**



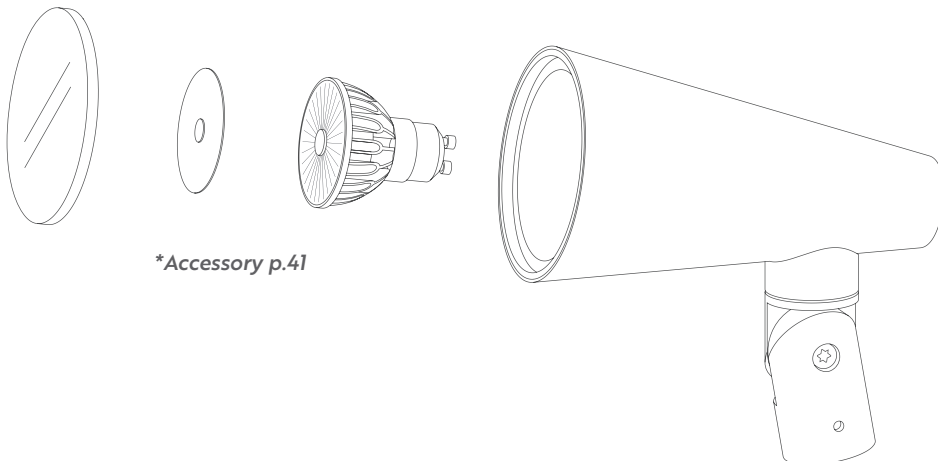


# Snap System Accessories

## SORAA®

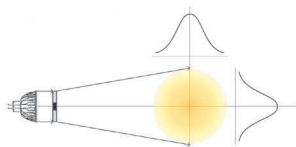


The Snap System's self-centering magnetic interconnect system makes using accessories completely user friendly. Simply attached the Snap System™ accessory directly to any narrow spot Soraa lamp, the magnetic force from both the accessory and lamp will securely attached to one another and center itself.



\*Accessory p.41

## ACCESSORIES

**Beam Spreader Snap**

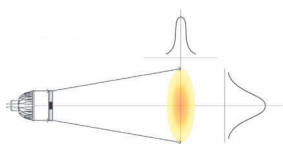
Increase the beam angle from standard 10° to:

- 36° code **9084**
- 60° code **9085**

*Lumen transmissivity: 90%*

*Diameter: 50mm. Thickness: 2mm*

*Magnetic attach force: 0.6N*

**Linear Snap**

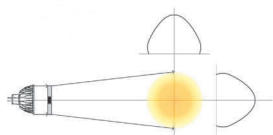
Ensure elliptical beam angle for wall washing effect or asymmetric projections:

- 10°x60° code **9086**

*Lumen transmissivity: 90%*

*Diameter: 50mm. Thickness: 2mm*

*Magnetic attach force: 0.6N*

**Flat Top Snap**

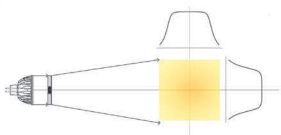
Provide even illumination enter to edge. It allows to obtain a square light beam.

- 25°x25° code **9087**

*Lumen transmissivity: 90%*

*Diameter: 50mm. Thickness: 2mm*

*Magnetic attach force: 0.6N*

**Louver Snap**

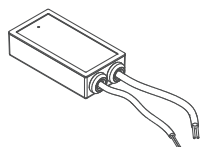
Eliminates high angle glare.

- Cutoff angle 40° code **9088**

*Diameter: 51,1mm. Thickness: 9mm*

*Magnetic attach force: 0.6N*

## ACCESSORIES



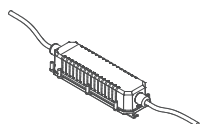
Power supply 16W 110-240V IP65  
125x61x31mm

code **9059**



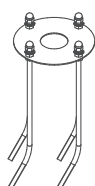
IP 68 Gel Box

code **9080**



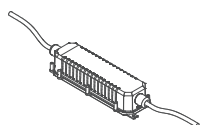
Power supply 24V DC 70W IP67  
267x79x52mm

code **9049**



Anchor bolts  
Ø88x165mm

code **9062**



Power supply 24V DC 150W IP67  
267x79x52mm

code **9057**

ACCESSORIES:

code **9059 / 9049 / 9057 / 9080 / 9062**