

Ster Spot Bollard 500

GEOMETRY HIGHLIGHTS SIMPLICITY AND EFFICIENCY

A cone of light designed to illuminate outdoor spaces, with a strong and contemporary design—its geometry highlights simplicity and efficiency.

Ster is a projector available in multiple configurations, suitable for all main applications.

SPOT GU10 Model: Available as a wall-mounted projector or as a bollard with single or double emission (H 500 mm, 800 mm), equipped with a GU10 lampholder (lamp not included), or in the SPOT10° version with SORAA® lamp (beam and light-colour accessories to be ordered separately). Die-cast aluminium body, with cathodisation treatment and polyester powder coating, the base is made of turned aluminium specifically treated for outdoor resistance.

Adjustability: $\pm 90^\circ$ tilt / $\pm 355^\circ$ rotation.

The transparent, tempered glass with black silk-screened is attached to the removable frame for access during maintenance.

Direct power supply 220–240V.

DIFFUSED Model: Available as a wall fixture, single or double-emission bollard (500 mm and 800 mm), or suspension with rod.

Light source: power LED, 2700K or 3000K, CRI ≥ 90 .

The luminaire body and base are made of turned aluminium with cathodisation treatment and polyester powder coating.

The transparent, tempered glass with black screen-printing is sealed to the body to ensure IP66 protection.

Power supply: 220–240V (phase-cut dimmable for wall version) or 24V with remote driver to be ordered separately.

Un cono di luce ad illuminare gli spazi esterni, design deciso e attuale, una geometria che esalta semplicità ed efficienza.

Ster è un proiettore che si declina in molteplici soluzioni e per tutte le applicazioni principali.

Modello SPOT GU10: in versione proiettore a parete o bollard a singola o doppia emissione (h500mm, 800mm) con portalampada senza lampadina o in versione SPOT10° con lampadina SORAA® (accessori relativi a fascio e colore di luce, da ordinare separatamente). Corpo in pressofusione di alluminio con cataforesi e verniciatura a polvere di poliestere, base in alluminio tornito e trattato appositamente per la resistenza all'esterno. Puntabilità $\pm 90^\circ$ - orientabilità $\pm 355^\circ$. Il vetro trasparente e temprato con serigrafia nera è incollato alla ghiera removibile per la manutenzione del vano.

Alimentazione diretta 220-240V.

Modello DIFFUSED: versione parete, bollard a singola o doppia emissione da 500mm e 800mm oppure sospensione con tige. Sorgente luminosa power Led nelle colorazioni 2700K e 3000K CRI ≥ 90 . Corpo lampada e basetta in alluminio tornito trattato con cataforesi e verniciatura in polvere di poliestere. Il vetro trasparente e temprato con serigrafia nera è incollato al corpo a garanzia della tenuta IP66.

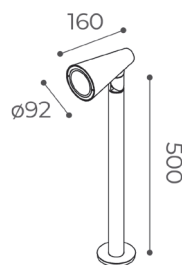
Alimentazione 220-240V (dimmabile phase-cut per la versione a parete) o 24V alimentazione remota da predisporre separatamente.

Design by Brian Sironi



Ster Spot Bollard

h500



Available finishes:



Light Source
Supply
CRI
IP rating
Dimmer
Electrical Class
Application
Diffuser

GU10 bulb
 220-240V
 if Soraa ≥90
 IP66
 phase cut with Soraa lamp
 II
 floor
 transparent glass

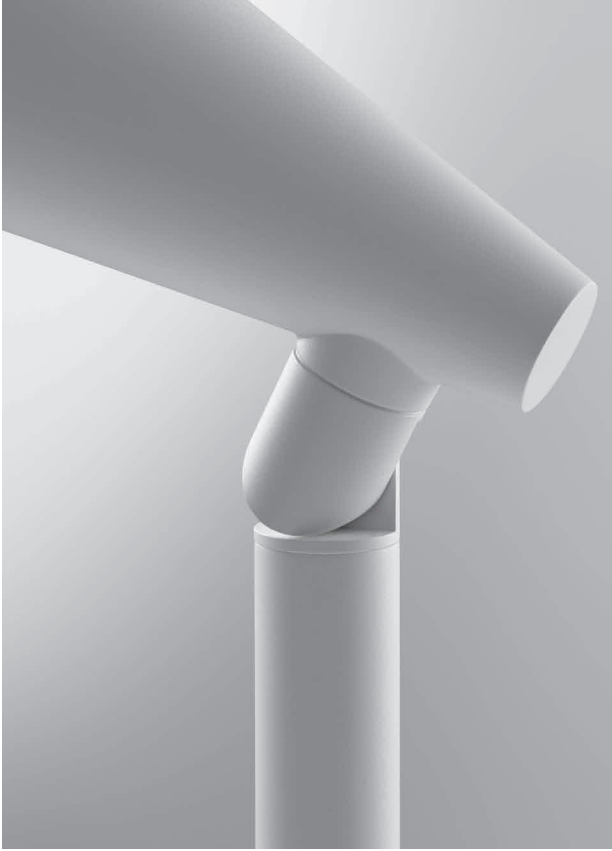
Power 7,5W is Soraa
Led Colour temp. 2700K / 3000K



		10° lm		white	sand	graphite	aluminium	corten	green
GU10	220-240V	2700K	540	902831022	902831023	902831024	902831025	902831028	9028310216
		3000K	560	902811022	902811023	902811024	902811025	902811028	9028110216
				white	sand	graphite	aluminium	corten	green
GU10	220-240V			902801032	902801033	902801034	902801035	902801038	9028010316
Senza lampadina/Without bulb									

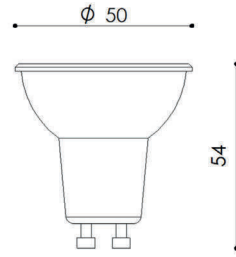
SORAA



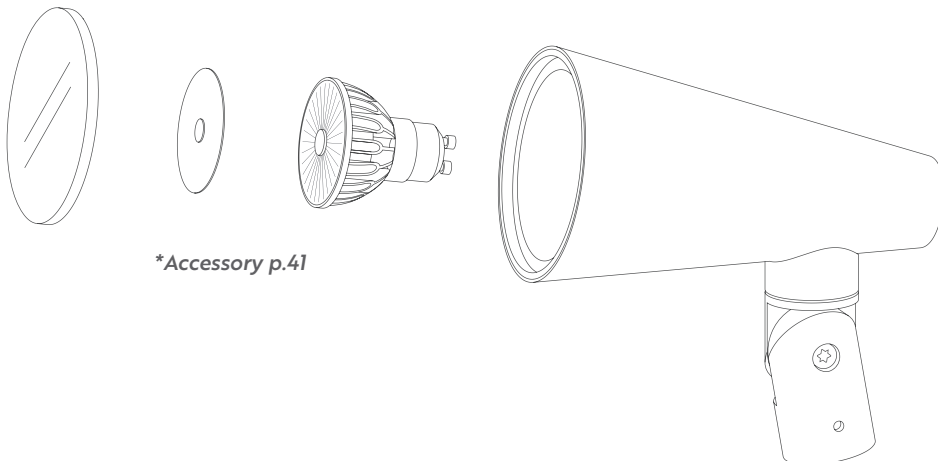


Snap System Accessories

SORAA®

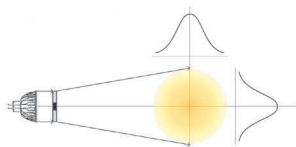


The Snap System's self-centering magnetic interconnect system makes using accessories completely user friendly. Simply attached the Snap System™ accessory directly to any narrow spot Soraa lamp, the magnetic force from both the accessory and lamp will securely attached to one another and center itself.



*Accessory p.41

ACCESSORIES

**Beam Spreader Snap**

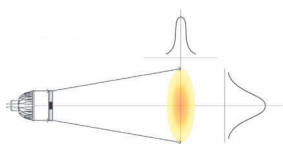
Increase the beam angle from standard 10° to:

- 36° code **9084**
- 60° code **9085**

Lumen transmissivity: 90%

Diameter: 50mm. Thickness: 2mm

Magnetic attach force: 0.6N

**Linear Snap**

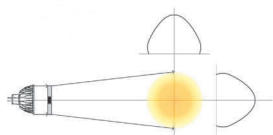
Ensure elliptical beam angle for wall washing effect or asymmetric projections:

- 10°x60° code **9086**

Lumen transmissivity: 90%

Diameter: 50mm. Thickness: 2mm

Magnetic attach force: 0.6N

**Flat Top Snap**

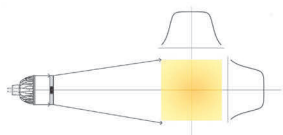
Provide even illumination enter to edge. It allows to obtain a square light beam.

- 25°x25° code **9087**

Lumen transmissivity: 90%

Diameter: 50mm. Thickness: 2mm

Magnetic attach force: 0.6N

**Louver Snap**

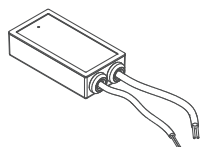
Eliminates high angle glare.

- Cutoff angle 40° code **9088**

Diameter: 51,1mm. Thickness: 9mm

Magnetic attach force: 0.6N

ACCESSORIES



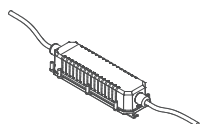
Power supply 16W 110-240V IP65
125x61x31mm

code **9059**



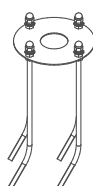
IP 68 Gel Box

code **9080**



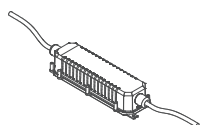
Power supply 24V DC 70W IP67
267x79x52mm

code **9049**



Anchor bolts
Ø88x165mm

code **9062**



Power supply 24V DC 150W IP67
267x79x52mm

code **9057**

ACCESSORIES:

code **9059 / 9049 / 9057 / 9080 / 9062**